


# Active-Semi: ACT8847 Powering i.MX6x

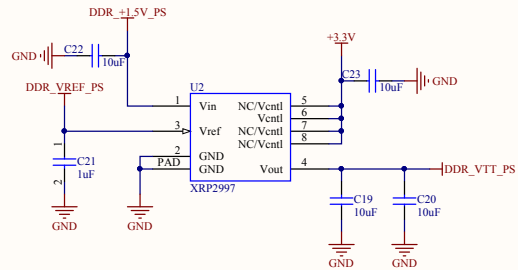
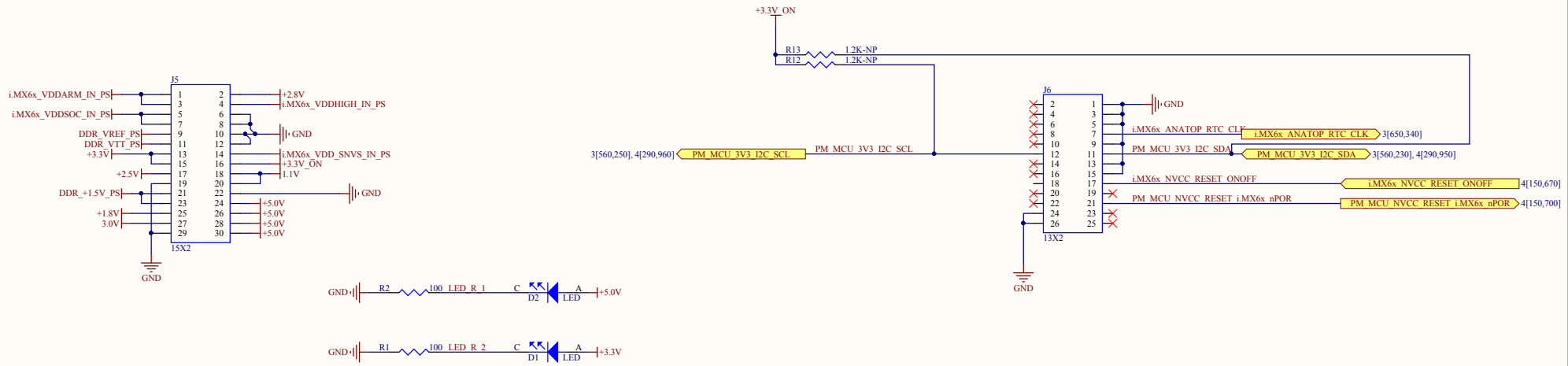
## NOVPEK™ i.MX6x base Board

DOC Number: 431-001-01-01

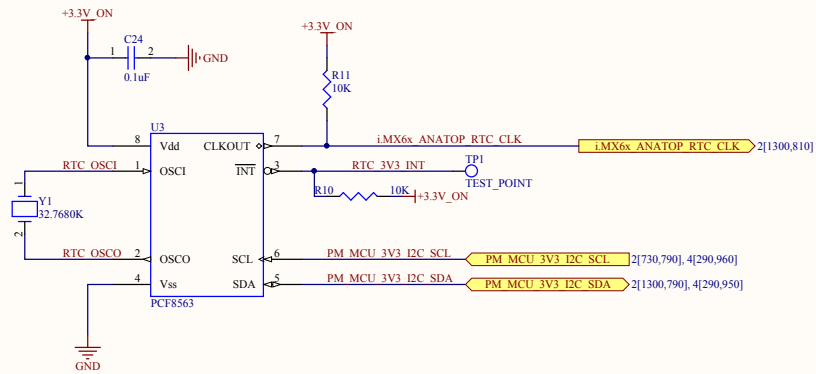
### Index

- Page 01 - Opening Page
- Page 02 - Power Distribution
- Page 03 - No MICRO, only RTC
- Page 04 - Power Supplies

<b>NovTech, Inc. Engineering Firm</b> 7401 Wiles Road, Suite 229, Coral Springs, FL 33067		 www.novtech.com (341) 341-3320
Customer: <b>Active Semi</b>		
Engineer: <b>G. Guy</b>	Project: <b>413-001-01-01</b>	Board: <b>Power Module for i.MX6</b>
Drawn By: <b>T. Zack</b>	Size: <b>B</b>	Title: <b>Opening Page</b>
Checked By: <b>Y. Har-Nov</b>	Date: *	Rev: <b>1.0</b>
Approved By: *	Sheet 1 of 4	

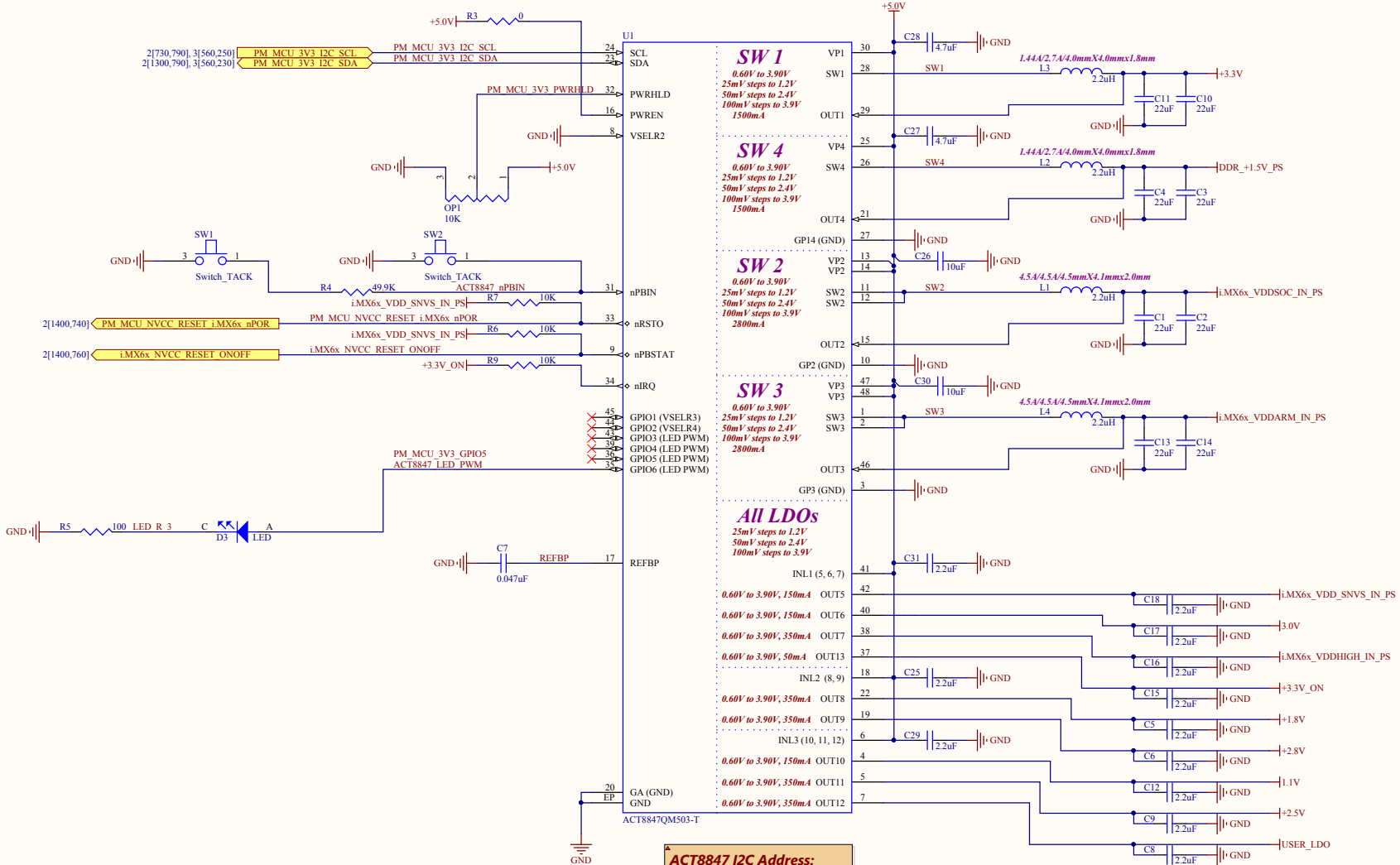


<b>NovTech, Inc. Engineering Firm</b> 7401 Wiles Road, Suite 229, Coral Springs, FL 33067		 www.novtech.com (341) 341-3320
Customer: <b>Active Semi</b>		
Engineer: <b>G. Guy</b>	Project: <b>413-001-01-01</b>	Board: <b>Power Module for i.MX6</b>
Drawn By: <b>T. Zack</b>	Size: <b>B</b>	Title: <b>Power Distribution</b>
Checked By: <b>Y. Har-Nov</b>	Date: *	Rev: <b>1.0</b>
Approved By: *	Sheet 2 of 4	



**NovTech, Inc. Engineering Firm**  
 7401 Wiles Road, Suite 229, Coral Springs, FL 33067  
 Customer: **Active Semi**  
 www.novtech.com  
 (341) 341-3320

Engineer: <b>G. Guy</b>	Project: <b>413-001-01-01</b>	Board: <b>Power Module for i.MX6</b>
Drawn By: <b>T. Zack</b>		
Checked By: <b>Y. Har-Nov</b>	Size: <b>B</b>	Title: <b>MICRO</b>
Approved By: *	Date: *	Rev: <b>1.0</b>
		Sheet 3 of 4



**ACT8847 I2C Address:**  
 Write: 0xB4  
 Read: 0xB5

**NovTech, Inc. Engineering Firm**  
 7401 Wiles Road, Suite 229, Coral Springs, FL 33067  
 Customer: **Active Semi**  
 www.novtech.com  
 (341) 341-3320

Engineer: <b>G. Guy</b>	Project: <b>413-001-01-01</b>	Board: <b>Power Module for i.MX6</b>
Drawn By: <b>T. Zack</b>	Size: <b>B</b>	Title: <b>Power Supplies</b>
Checked By: <b>Y. Har-Nov</b>	Date: *	Rev: <b>1.0</b>
Approved By: *	Sheet 4 of 4	