

Application Note

Differences in Atmel PMUs: ACT8865QI303-T versus ACT8865QI305-T

DESCRIPTION OF CHANGE

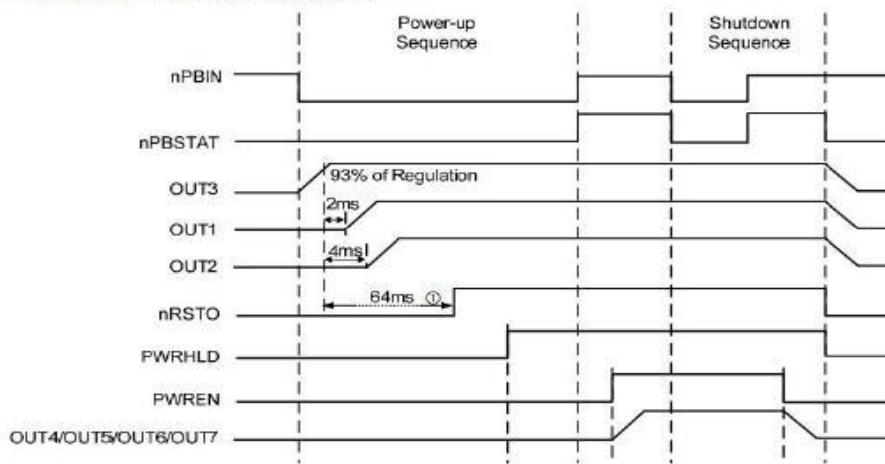
Product Part Number was changed from ACT8865QI303-T to ACT8865QI305-T due to change in the internal Coding Matrix to support secure applications on Atmel SAMA5 and SAM9 eMPUs. ACT8865QI303-T is now in end-of-life (EOL) status and will not be shipped. Please use ACT8865QI305-T in all future designs

ACT8865QI303-T: PMU for Atmel SAMA5 and SAM9 eMPU Processors

VOLTAGE & CURRENT LISTING BY CHANNEL Number:

REG1: 1.8V/ 1150mA
 REG2: 1.2V/ 1150mA
 REG3: 3.3V/ 1300mA
 REG4: 2.5V/ 320mA
 REG5: 3.3V/ 320mA
 REG6: Shutdown/ 320mA
 REG7: Shutdown/ 320mA

ACT8865QI303-T Enable/Disable Sequence

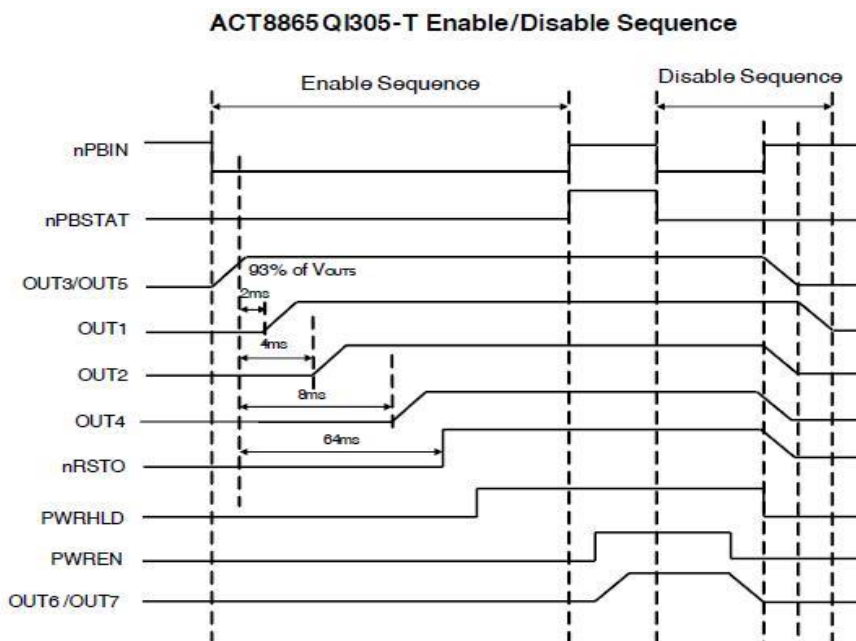


ACT8865QI305-T: PMU for Atmel SAMA5 and SAM9 eMPU Processors

Besides providing compact all-in-one power management support to Atmel SAM5 and SAM9 eMPUs, ACT8865QI305-T is also customized to support Atmel's secure applications.

Following are the full list of changes compared to ACT8865QI303-T

1. OUT4=2.5V default on
2. OUT5=3.3V default on



ADDITIONAL INFO

For the latest datasheet for ACT8865QI305-T, please check Active-Semi website at, <http://www.active-semi.com/products/power-management-units/act88xx/65/>

The ACT8865QI305-T parts can be ordered from any of the Active-Semi distributors. For the list of distributors word-wide, please see <http://www.active-semi.com/buy/>

For additional info, or questions, please contact Active-Semi or email marketing@active-semi.com